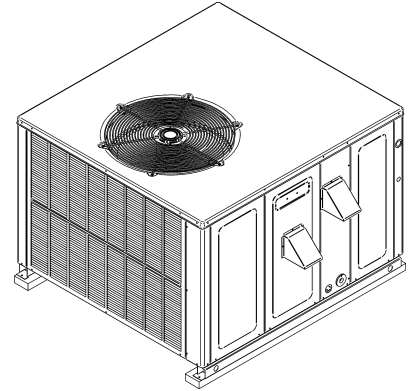




# REPAIR PARTS

## GPGM5 Residential Package Gas Unit

GPGM52406041AA  
GPGM53008041AA  
GPGM53608041AA  
GPGM54210041AA  
GPGM54810041AA



This manual is to be used by qualified technicians only.

© 2022 Goodman Manufacturing Company, L.P. ♦ 5151 San Felipe St, Suite 500 ♦ Houston, TX 77056

# Important Information

---

## Index

Functional Parts List .....	3
Illustration and Parts .....	4 - 13

*Views shown are for parts illustrations only, not servicing procedures.*

### Text Codes:

AR - As Required

NA - Not Available

NS - Not Shown

00000000 - See Note

QTY - Quantity Example (QTY 3) (If Quantity not shown, Quantity = 1)

M - Model Example (M1) (If M Code not shown, then part is used on all Models)

### Expanded Model Nomenclature:

Example M1 - Model#1 M2 - Model#2 M3 - Model#3
---

Goodman Manufacturing Company, L.P. is not responsible for personal injury or property damage resulting from improper service. Review all service information before beginning repairs.

Warranty service must be performed by an authorized technician, using authorized factory parts. If service is required after the warranty expires, Goodman Manufacturing Company, L.P. also recommends contacting an authorized technician and using authorized factory parts.

Goodman Manufacturing Company, L.P. reserves the right to discontinue, or change at any time, specifications or designs without notice or without incurring obligations.

For assistance within the U.S.A. contact:  
Homeowner Support  
Goodman Manufacturing Company, L.P.  
19001 Kermier Road  
Waller, Texas 77484  
877-254-4729-Telephone  
713-863-2382-Facsimile

For assistance outside the U.S.A. contact:  
International Division  
Goodman Manufacturing Company, L.P.  
19001 Kermier Road  
Waller, Texas 77484  
713-861-2500-Telephone  
713-863-2382-Facsimile

# Functional Parts

**Part No:**            **Description:**

0150G00003	BLADE, FAN 26 SWEEP WING (M3, M4, M5)
B1368000	BLOWER WHEEL (11 X 10) (M3, M4, M5)
CAP050350440CS	CAP, 5/35 MFD/440V/DUAL RD (M1, M5)
CAB050400440CT	CAP, 5/40 MFD/440V RD - BPRF (M2)
CAB050450440CT	CAP, 5/45 MFD/440V RD - BPRF (M3)
CAP050300440CS	CAP,5/30MFD/440V/DUAL RD (M4)
ZPS35K6EPFV130	COMP, 37200, 208/230/60/1 (M4)
ZPS40K6EPFV130	COMP, 40000,208/230/60/1 (M5)
ZPS20K6EPFV130	COMPRESSOR, 25100,208/230/60/1 (M1)
ZPS30K6EPFV130	COMPRESSOR, 37900,208/230/60/1 (M3)
ZPS26K5EPFV130	COMPRESSOR, COPELAND (M2)
CONT1P030024V	CONT, 1 POLE, 30 AMP, 24 VAC (M1, M2, M4)
CONT2P040024V	CONT, 2 POLE, 40 AMP, 24 VAC (M3, M5)
0131M00747M	CONTROLLERLESS MOTOR (M3, M4, M5)
0131M00750M	CONTROLLERLESS MOTOR (M1, M2)
0150G00002	FAN BLADE SWP/W (M2)
0150M00008	FAN BLADE, 22" TNT2203-25 (M1)
0130F00010	FLAME SENSOR
0151F00000P	GAS VALVE
0130M00074	HIGH PRESSURE SWITCH
0130F00014	IGNITOR
10728342	LIMIT SWITCH (M2)
10728344	LIMIT SWITCH (M3, M4, M5)
10123532	LIMIT-RESET MAN-GRAY (M2)
10123529	LIMIT-RESET MAN-GREEN (M1, M3, M4, M5)
0131M00847	MOTOR, 1/4 HP, 1 SP, 6 PL (M3, M4, M5)
0131M00836	MOTOR, 1/4HP,1SP,8PL,AL (M2)
0131M00979	MOTOR, 1/6 HP, 1SP, 8PL,AL (M1)
0131G00001	MOTOR, ID BLOWER
PCBAG127	PCB IGNITION DSI 2 STG
11112501	PRESSURE SWITCH
0131G00156	PROGRAMMED CONTROLLER (M4)
0131G00153	PROGRAMMED CONTROLLER (M1)
0131G00155	PROGRAMMED CONTROLLER (M3)
0131G00157	PROGRAMMED CONTROLLER (M5)
0131G00154	PROGRAMMED CONTROLLER (M2)
0130G00033	SWITCH, HIGH LIMIT, ULN (M1)
0130M00138	TRANSFORMER 208/230 24V
B1368016	WHEEL, BLOWER, 10X8 (M1)
D6723303	WHEEL-BLOWER (M2)

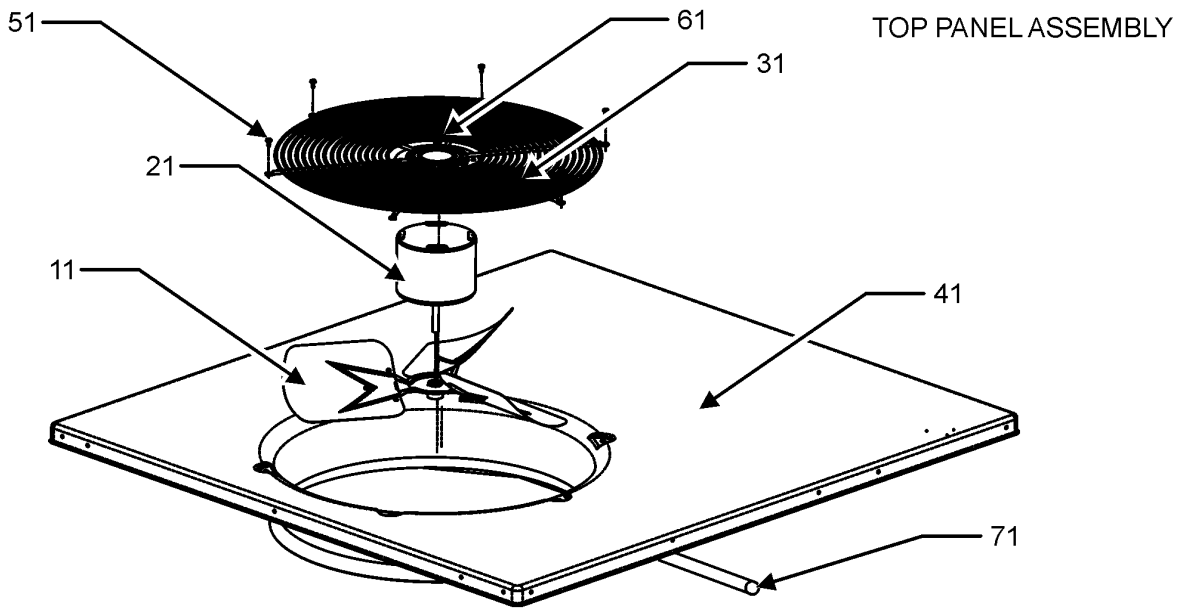
## Expanded Model Nomenclature

M1 - GPGM52406041AA
M2 - GPGM53008041AA
M3 - GPGM53608041AA
M4 - GPGM54210041AA
M5 - GPGM54810041AA

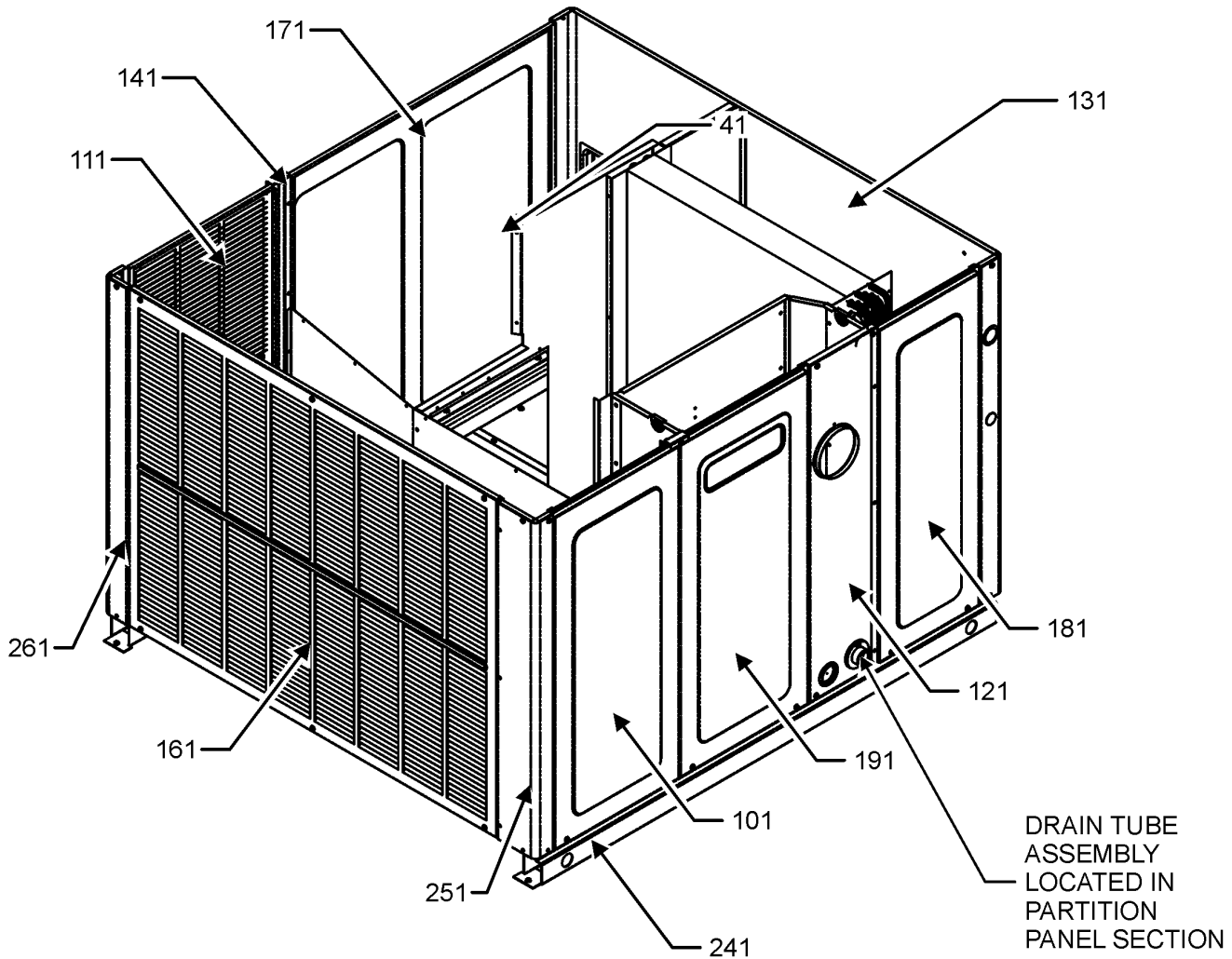
### SPECIAL PARTS

TP-109B	AL COIL-APPROVED CLEANING LIST
PWGMFG	GOODMAN PRODUCT WARRANTY
HI-116G	HOMEOWNERS MANUAL
IOG-3026	INSTALLATION INSTRUCTIONS

# Top Panel and Cabinet Assembly



## CABINET ASSEMBLY



# Top Panel and Cabinet Assembly

Ref. Part No:	Part No:	Description:	Ref. Part No:	Part No:	Description:
---------------	----------	--------------	---------------	----------	--------------

**Image 1:**

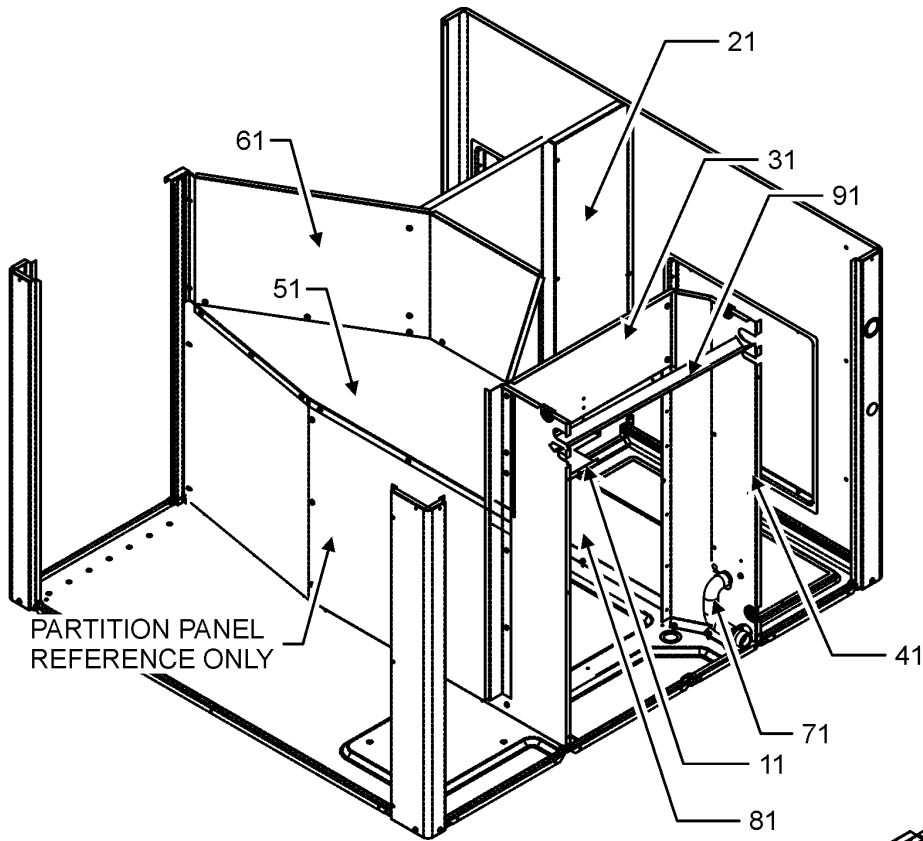
11	0150G00003	BLADE, FAN 26 SWEPT WING (M3, M4, M5)
11	0150G00002	FAN BLADE SWP/W (M2)
11	0150M00008	FAN BLADE, 22" TNT2203-25 (M1)
21	0131M00847	MOTOR, 1/4 HP, 1 SP, 6 PL (M3, M4, M5)
21	0131M00836	MOTOR, 1/4HP,1SP,8PL,AL (M2)
21	0131M00979	MOTOR, 1/6 HP, 1SP, 8PL,AL (M1)
31	0152G00003	GRILLE-FAN
41	0121G00887PDG	PNL, TOP, PNT
51	M0221817	SCREW-SM (QTY 6)
61	0163M00006P	ACORN NUT 5/16 HEX BLACK (QTY 4)
71	0161R00002P	CONDUIT
101	20464804PDG	DOOR-COMPRESSOR 32 W/PAINT (M1, M2)
101	20464809PDG	DOOR-COMPRESSOR 40 W/PAINT (M3, M4, M5)
111	20467701PDG	PANEL - COND SIDE 32 W/PAINT (M1)
111	20467702PDG	PANEL - COND SIDE 40 W/PAINT (M3, M4, M5)
111	0121G00465DG	PANEL-COND SIDE 32, PNT (M2)
121	20466101PDG	UTILITY PANEL 32 W/PAINT (M1, M2)
121	20466102PDG	UTILITY PANEL 40 W/PAINT (M3, M4, M5)
131	0121G00917DG	PANEL, DUCT, 40" PNT-DG (M3, M4, M5)
131	0121G00802DG	PNL, DUCT, GAS 32.5" PNT (M1, M2)
141	0121G00460	POST-SUPPORT, SIDE (M1, M2)
141	0121G00615	POST-SUPPORT, SIDE 40 (M3, M4, M5)
161	0121G00728DG	PANEL-COND LOUVERED 32 (M1, M2)
161	0121G00729DG	PANEL-COND LOUVERED 40 (M3, M4, M5)
171	20464801PDG	DOOR - BLOWER 32 W/PAINT (M1, M2)
171	20464806PDG	DOOR - BLOWER 40 W/PAINT (M3, M4, M5)
181	20464802PDG	DOOR-EVAP/CONTROL 32 W/PAINT (M1, M2)
181	20464807PDG	DOOR-EVAP/CONTROL 40 W/PAINT (M3, M4, M5)
191	0121G00526DG	DOOR-HT EXCHANGE 32 (M1, M2)
191	0121G00527DG	DOOR-HT EXCHANGE 38 (M3, M4, M5)
241	0121G00290	RAIL, BASEPAN, PKG (QTY 2)
251	0121G00453DG	CORNER-POST COMP END, PNT (M2)
251	0121G00455DG	CORNER-POST COMP END, PNT (M3, M5)
251	20464201PDG	CRNR POST-COMP END 32 W/PAINT (M1)
251	20464202PDG	CRNR POST-COMP END 40 W/PAINT (M4)
261	0121G00454DG	CORNER-POST HPIN END, PNT (M1, M2)
261	0121G00456DG	CORNER-POST HPIN END, PNT (M3, M4, M5)
NS	TP-109B	AL COIL-APPROVED CLEANING LIST
NS	0270G00500	FLUE HOOD ASSY
NS	PWGMFG	GOODMAN PRODUCT WARRANTY
NS	HI-116G	HOMEOWNERS MANUAL
NS	IOG-3026	INSTALLATION INSTRUCTIONS

**Expanded Model Nomenclature**

- |                     |
|---------------------|
| M1 - GPGM52406041AA |
| M2 - GPGM53008041AA |
| M3 - GPGM53608041AA |
| M4 - GPGM54210041AA |
| M5 - GPGM54810041AA |

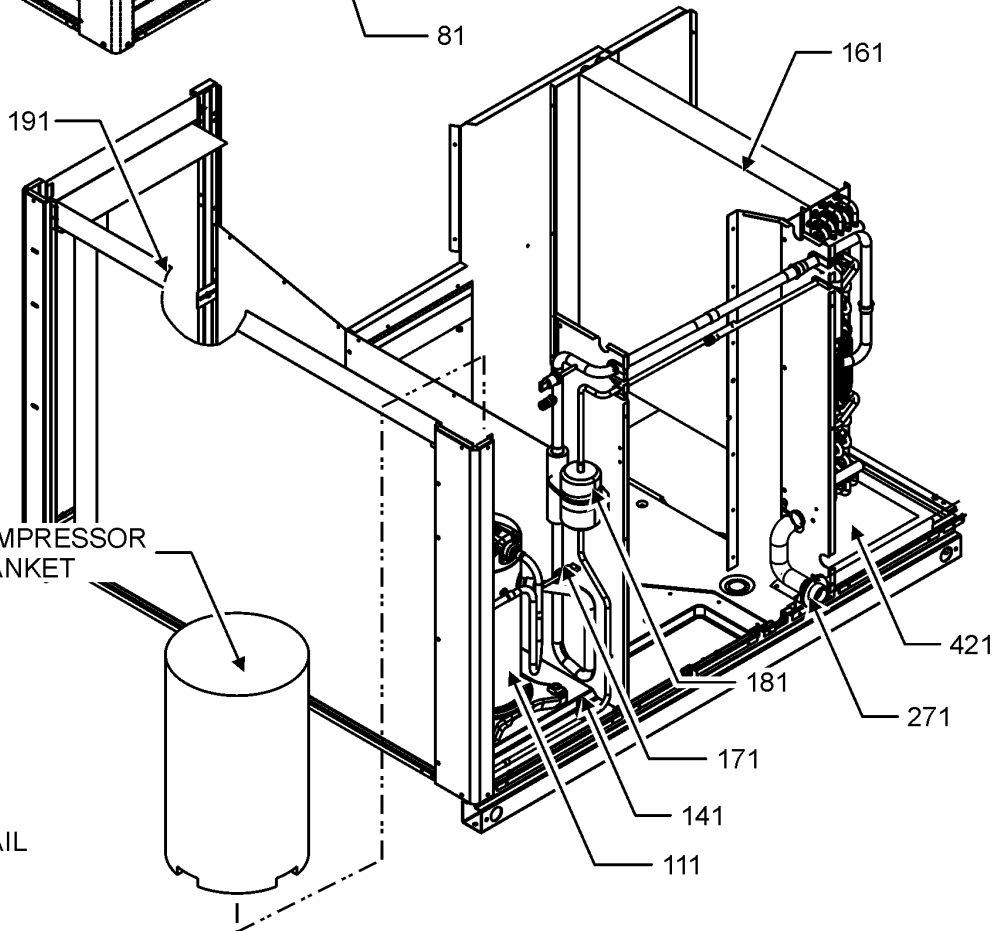
# Partition and Tubing Assembly

PARTITION ASSEMBLY



TUBING ASSEMBLY

TUBING ASSEMBLY  
MAY DIFFER FROM  
WHAT IS SHOWN



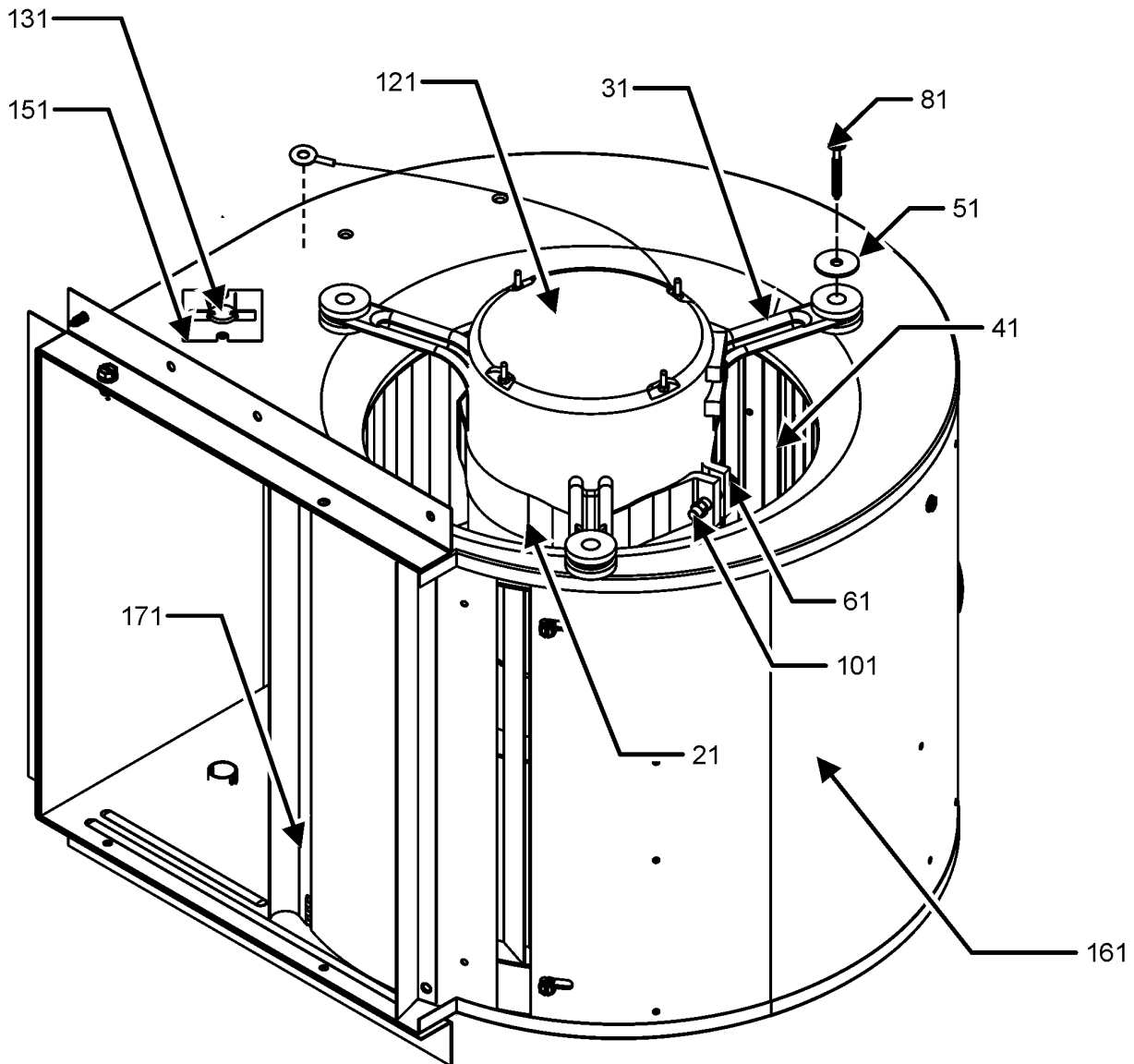
COMPRESSOR LEG DETAIL

# Partition and Tubing Assembly

Ref. Part No:	Ref. Part No:	Description:	Description:
<b>Image 1:</b>		<b>Expanded Model Nomenclature</b>	
11	20472501	SHIELD-HT TUBES	M1 - GPGM52406041AA
21	20465305	DIVIDER-BLOWER (M1)	M2 - GPGM53008041AA
21	20465304	DIVIDER-BLOWER 32 10X9 (M2)	M3 - GPGM53608041AA
21	20465302	DIVIDER-BLOWER 38 (M3, M4, M5)	M4 - GPGM54210041AA
31	0121G00894	PANEL FILLER HT EXCH 32 (M1, M2)	M5 - GPGM54810041AA
31	0121G00895	PANEL FILLER HT EXCH 40 (M3, M4, M5)	
41	0121G00757	DIVIDER, EVAP/HT EXCH 32 (M1, M2)	
41	0121G00758	DIVIDER, EVAP/HT EXCH 38 (M3, M4, M5)	
51	20465701	FAN PARTITION SHELF	
61	20465801	SURROUND-FAN 32 (M1, M2)	
61	20465802	SURROUND-FAN 40 (M3, M4, M5)	
71	20498302	TUBE-DRAIN 32 (M1, M2)	
71	20498301	TUBE-DRAIN 40 (M3, M4, M5)	
81	20463802	BLOCK-EVAP/BPAN 32 (M1, M2)	
81	20463801	BLOCK-EVAP/BPAN 40 (M3, M4, M5)	
91	0121G00555	DRAIN CHANNEL, SUCTION TUBE	
111	ZPS35K6EPFV130	COMP, 37200, 208/230/60/1 (M4)	
111	ZPS40K6EPFV130	COMP, 40000,208/230/60/1 (M5)	
111	ZPS20K6EPFV130	COMPRESSOR, 25100,208/230/60/1 (M1)	
111	ZPS30K6EPFV130	COMPRESSOR, 37900,208/230/60/1 (M3)	
111	ZPS26K5EPFV130	COMPRESSOR, COPELAND (M2)	
141	B1373315	ACCESS FITTING (QTY 2)	
161	0202G00727	ASSY., COIL TUBING (M2)	
161	0202G00775	ASSY., COIL TUBING (M3)	
161	0202G00776	ASSY., COIL TUBING (M5)	
161	0202G00782	ASSY., COIL TUBING (M1)	
161	0202G00728	COIL TUBING ASSY (M4)	
171	0130M00074	HIGH PRESSURE SWITCH	
181	0162G00007	SINGLE-FLOW FILTER DRIER,STL (M3, M4, M5)	
181	0162G00008	SINGLE-FLOW FILTER DRIER,STL (M1, M2)	
191	0201G00369	ASSY., CONDENSER COIL (M3, M5)	
191	0201G00142	COND COIL TUBING ASSY (M1)	
191	0201G00249	CONDENSER COIL ASSY (M2)	
191	0201G00460	CONDENSER COIL ASSY (M4)	
241	M0221641	SCREW-SHOULDER TF (QTY 4)	
251	B1339533	COMPRESSOR GROMMET (QTY 4)	
271	20513001	EVAP DRAIN FITTING	
421	20464901DF	DRAIN PAN-EVAP COIL	
NS	B1373311	ACCESS VALVE FITTING	
NS	0159G00001	CABLE, COMPR SOL (M1, M2)	
NS	0159G00031	CABLE, COMPR SOL (M3, M4, M5)	
NS	0163M00175	CAP WITH O-RING (QTY 2)	
NS	0164M00111	GROMMET D (QTY 2)	
NS	0164M00023	GROMMET-HORSESHOE	
NS	20333401	GROMMET-HORSESHOE	
NS	20333501	GROMMET-HORSESHOE	
NS	20477501	GROMMET-HORSESHOE	
NS	0159G00005	HARNESS-COMP SCROLL (M1, M2)	
NS	0159G00015	HARNESS-COMP SCROLL (M3, M4, M5)	
NS	0259G00163	HARNESS-COMPRESSOR (M1, M2)	
NS	0259G00296	HARNESS-COMPRESSOR (M3, M4, M5)	
NS	B1810011	HOSE CLAMP 1.25 (QTY 2)	
NS	0151M00074	VALVE, NXT R-410A (M5)	
NS	0151M00076	VALVE-TXV R410A (M1)	
NS	0151M00077	VALVE-TXV R410A (M2, M3, M4)	

# Blower Assembly

BLOWER ASSEMBLY



BLOWER ASSEMBLY MAY DIFFER FROM WHAT IS SHOWN



# Blower Assembly

Ref. Part No:	Part No:	Description:	Ref. Part No:	Part No:	Description:
---------------	----------	--------------	---------------	----------	--------------

**Image 1:**

21	0121M00038	MOTOR MOUNT BAND			
31	B1376857	MOTOR MOUNT ARM (QTY 3)			
41	B1368000	BLOWER WHEEL (11 X 10) (M3, M4, M5)			
41	B1368016	WHEEL, BLOWER, 10X8 (M1)			
41	D6723303	WHEEL-BLOWER (M2)			
51	B1392918	WASHER FLAT 1/4 ID X 1 OD (QTY 3)			
61	B1393323	SCREW,MACHI HWH 1/4-20X1 1/2 BZ			
81	M0250565	TC SCREW 1.25" (QTY 3)			
101	B1393800	LOCKNUT, NYLON, INSERT 1/4, 20			
121	0131M00747M	CONTROLLERLESS MOTOR (M3, M4, M5)			
121	0131M00750M	CONTROLLERLESS MOTOR (M1, M2)			
121	0131G00153	PROGRAMMED CONTROLLER (M1)			
121	0131G00154	PROGRAMMED CONTROLLER (M2)			
121	0131G00155	PROGRAMMED CONTROLLER (M3)			
121	0131G00156	PROGRAMMED CONTROLLER (M4)			
121	0131G00157	PROGRAMMED CONTROLLER (M5)			
131	20269903	LIMIT			
151	2509503	BRACKET F/ROLLOUT SWUT SWITCH			
161	0271G00025	BLOWER HOUSING ASSY (10X8) (M1)			
161	0271G00024	BLOWER HOUSING ASSY (10X9) (M2)			
161	2539309	BLOWER HOUSING ASSY (11X10) (M3, M4, M5)			
171	764742	BLOCK OFF - BLOWER (M2)			
171	1864703	BLOWER CUT-OFF ASM,5TON,MORRIS (M3, M4, M5)			
NS	20463701	MTG-BLOWER U 11X10 (M3, M4, M5)			
NS	0121G00148	SINGLE COVER, DOWN DISCHARGE (QTY 2)			

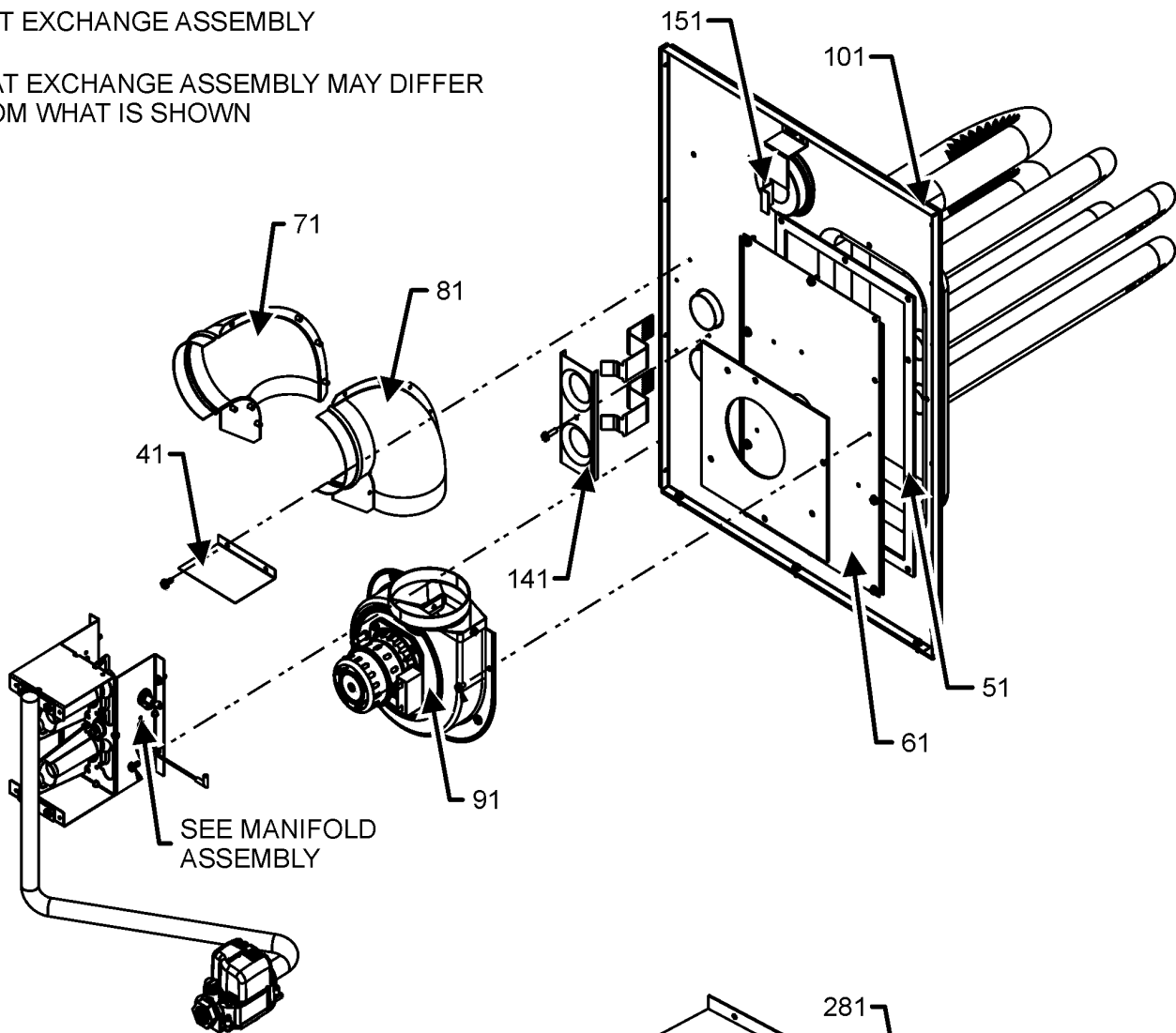
**Expanded Model Nomenclature**

M1 - GPGM52406041AA
M2 - GPGM53008041AA
M3 - GPGM53608041AA
M4 - GPGM54210041AA
M5 - GPGM54810041AA

# Heat Exchange and Manifold Assembly

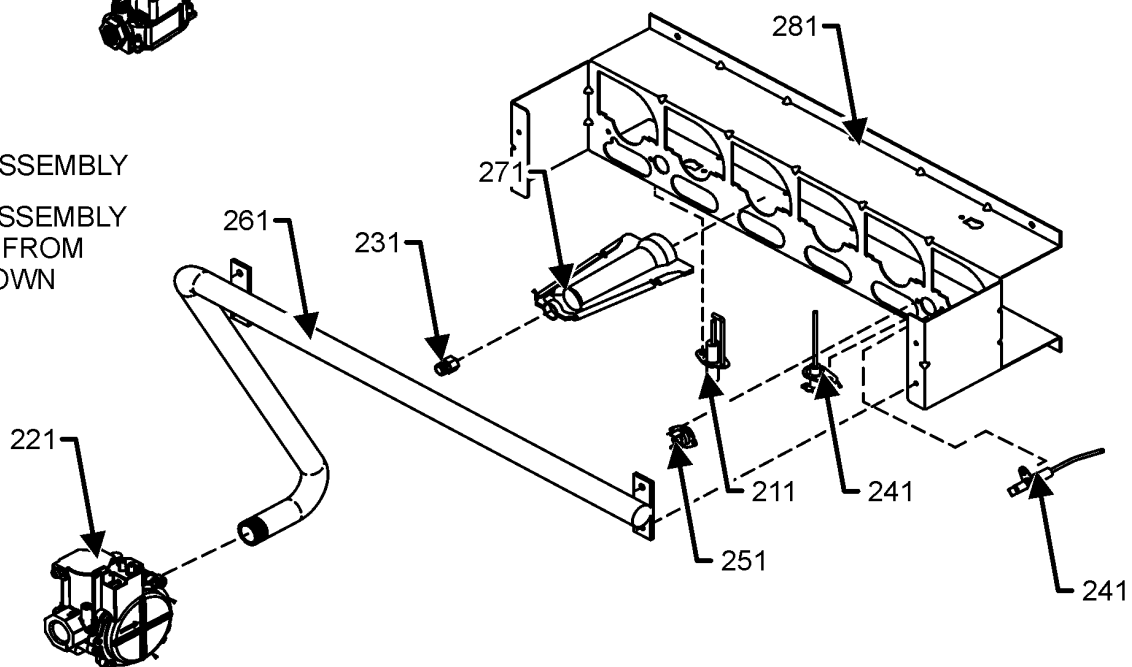
## HEAT EXCHANGE ASSEMBLY

HEAT EXCHANGE ASSEMBLY MAY DIFFER FROM WHAT IS SHOWN



## MANIFOLD ASSEMBLY

MANIFOLD ASSEMBLY MAY DIFFER FROM WHAT IS SHOWN



# Heat Exchange and Manifold Assembly

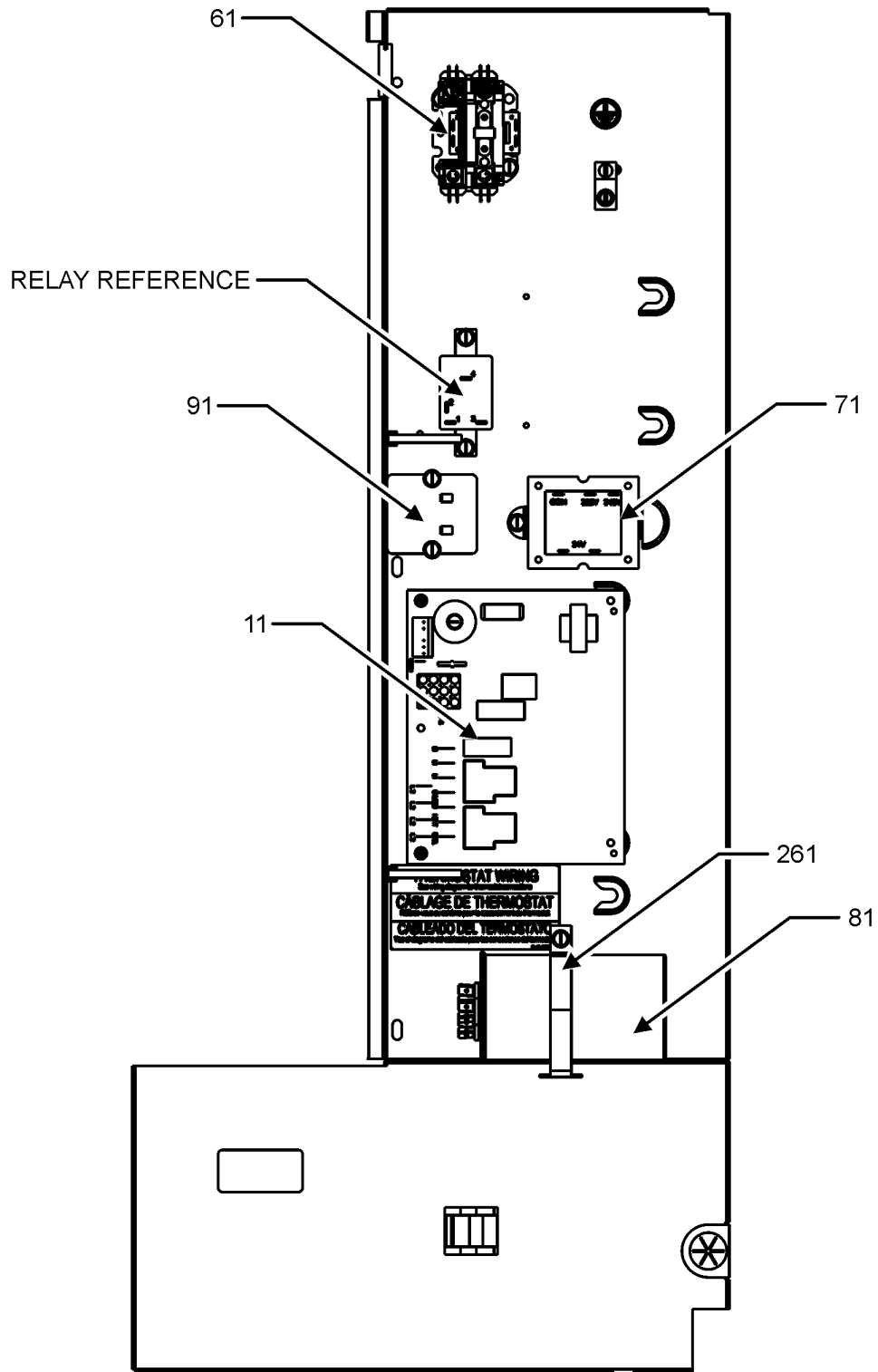
Ref. Part No:	Ref. Part No:	Description:	Description:
<b>Image 1:</b>			
41	11190202	DEFLECTOR HEAT PKG	
51	0154G00020	GASKET ID BLOWER & PLATE (M1, M2)	
51	0154G00021	GASKET ID BLOWER & PLATE (M3, M4, M5)	
61	0121G00740	PLATE-ID BLOWER (M1)	
61	0121G00743	PLATE-ID BLOWER (M4, M5)	
61	0121G00745	PLATE-ID BLOWER (M3)	
61	0121G00747	PLATE-ID BLOWER (M2)	
71	20484401	FLUE ELBOW LEFT	
81	20484402	FLUE ELBOW RIGHT	
91	0131G00001	MOTOR, ID BLOWER	
101	20490707	PART/TUBE ASSY 3B (M1)	
101	20490703	PART/TUBE ASSY 4B (M2)	
101	20490704	PART/TUBE ASSY 4B (M3)	
101	20490705	PART/TUBE ASSY 5B (M4, M5)	
141	11072202	SHIELD-ORF CO FUR (M1)	
141	11072203	SHIELD-ORF CO FUR (M2, M3)	
141	11072204	SHIELD-ORF CO FUR (M4, M5)	
151	11112501	PRESSURE SWITCH	
211	0130F00014	IGNITOR	
221	0151F00000P	GAS VALVE	
231	10716005	ORIFICE (QTY 3)	
241	0130F00010	FLAME SENSOR	
251	10123532	LIMIT-RESET MAN-GRAY (M2)	
251	10123529	LIMIT-RESET MAN-GREEN (M1, M3, M4, M5)	
261	20493103	MANIFOLD- 3 BRNR 32 (M1)	
261	20493104	MANIFOLD- 4 BRNR 32 (M2)	
261	20493105	MANIFOLD- 4 BRNR 38 (M3)	
261	20493106	MANIFOLD- 5 BRNR 38 (M4, M5)	
271	0163F00017	BECKETT BURNER (QTY 3)	
281	0121L02164	BRKT-BURNER 3B FUR (M1)	
281	20190412	BRKT-BURNER 4B FUR (M2, M3)	
281	20190413	BRKT-BURNER 5B FUR (M4, M5)	
NS	0154G00011	ELBOW FLUE GASKET	
NS	0154G00013	ELBOW FLUE GASKET	
NS	0270G00500	FLUE HOOD ASSY	

## Expanded Model Nomenclature

- |                     |
|---------------------|
| M1 - GPGM52406041AA |
| M2 - GPGM53008041AA |
| M3 - GPGM53608041AA |
| M4 - GPGM54210041AA |
| M5 - GPGM54810041AA |

# Control Panel

## CONTROL BOX ASSEMBLY



CONTROL BOX ASSEMBLY  
MAY DIFFER FROM WHAT  
IS SHOWN

# Control Panel

Ref. Part No:	No:	Description:	Ref. Part No:	No:	Description:
---------------	-----	--------------	---------------	-----	--------------

---

## Image 1:

11	PCBAG127	PCB IGNITION DSI 2 STG
61	CONT1P030024V	CONT, 1 POLE, 30 AMP, 24 VAC (M1, M2, M4)
61	CONT2P040024V	CONT, 2 POLE, 40 AMP, 24 VAC (M3, M5)
71	0130M00138	TRANSFORMER 208/230 24V
81	CAP050350440CS	CAP, 5/35 MFD/440V/DUAL RD (M1, M5)
81	CAB050400440CT	CAP, 5/40 MFD/440V RD - BPRF (M2)
81	CAB050450440CT	CAP, 5/45 MFD/440V RD - BPRF (M3)
81	CAP050300440CS	CAP,5/30MFD/440V/DUAL RD (M4)
91	10728342	LIMIT SWITCH (M2)
91	10728344	LIMIT SWITCH (M3, M4, M5)
91	0130G00033	SWITCH, HIGH LIMIT, ULN (M1)
261	20520901	STRAP-CAPACITOR
NS	0259G00160	BLOWER-HARNESS
NS	0159G00005	HARNESS-COMP SCROLL (M1, M2)
NS	0159G00015	HARNESS-COMP SCROLL (M3, M4, M5)
NS	0259G00163	HARNESS-COMPRESSOR (M1, M2)
NS	0259G00296	HARNESS-COMPRESSOR (M3, M4, M5)
NS	0259G00161	HARNESS-GAS CONTROL (M1, M2)
NS	0259G00162	HARNESS-GAS CONTROL (M3, M4, M5)

## Expanded Model Nomenclature

M1 - GPGM52406041AA
M2 - GPGM53008041AA
M3 - GPGM53608041AA
M4 - GPGM54210041AA
M5 - GPGM54810041AA